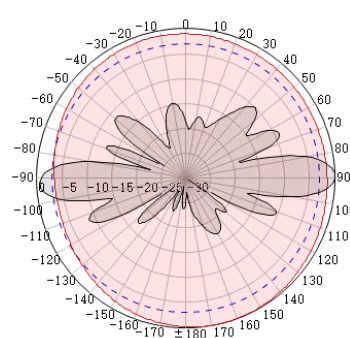
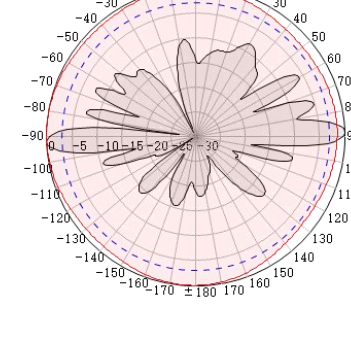
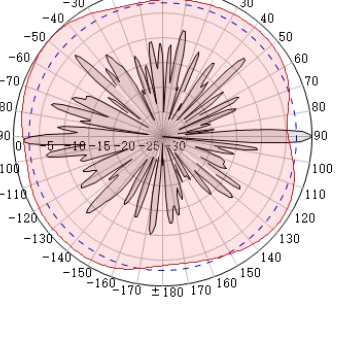


1-Port OMNI Antenna

- 617~2700 MHz
- 8.5/10dBi / 360° / Vertical
- Structurally reliable, aesthetically pleasing, and easy to install.

TQJ-0627G10F76

Electrical Specifications			
Frequency Range (MHz)	617-960	960-1710	1710-2700
Polarization	Vertical		
Peak Gain (dBi)	8.5	9.5	10
Horizontal Beam Width (°)	360		
Vertical Beam Width (°)	13.5	8.5	5.5
Impedance (Ω)	50		
VSWR	≤2.0 (Max2.5)		
Maximum Power (W)	50		
Mechanical Specifications			
Connector	1*N Female		
Antenna Size (mm)	Φ76*1650 (±20)		
Antenna Weight(kg)	3.5		
Bracket Weight(kg)	3.0		
Radome Material	Fiberglass		
Radome Color	White		
Operating Humidity (%)	5~95		
Operating Temperature (°C)	-40~60		
Application	Outdoor		
Mast Diameter(mm)	Φ70~Φ115 (JM-2DB)		
	617-960MHZ	960-1710MHZ	1710-2700MHZ
			

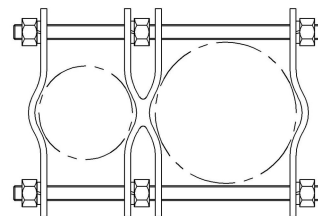
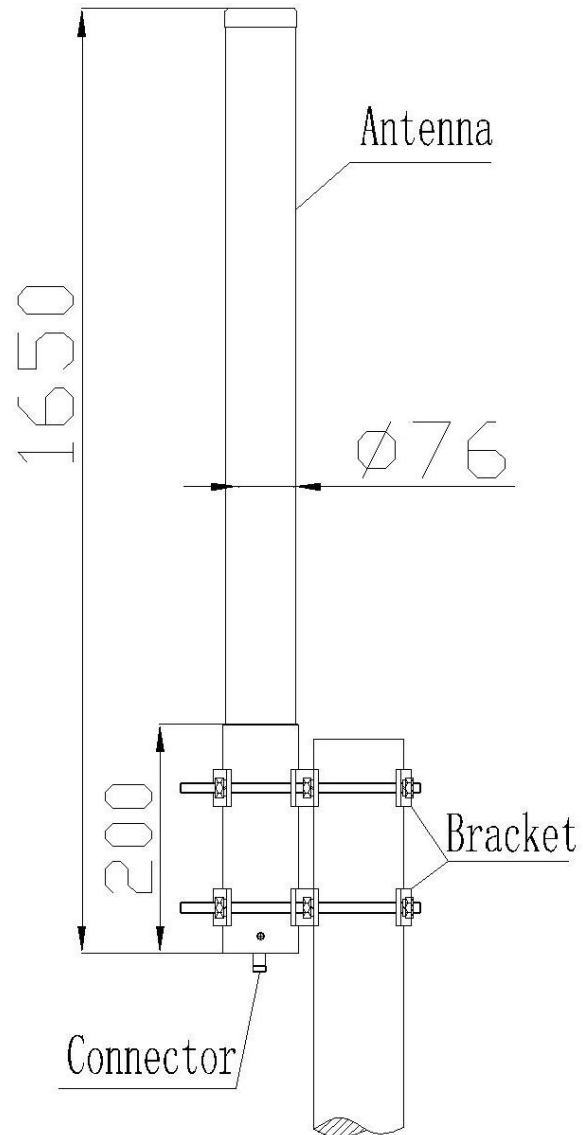
1-Port OMNI Antenna

- 617~2700 MHz
- 8.5/10dBi / 360° / Vertical
- Structurally reliable, aesthetically pleasing, and easy to install.

Product Picture



Installation Sketch



Bracket Top View